

MicroIQ™

UTILITY LOCK - MODELS: UT UM UA

Installation Manual



FOR OFFICE FURNITURE, STORAGE CABINETS, LOCKERS, SAFES, VAULTS, SECURED ENCLOSURES

Installation

See Figure 1 for available mounting hardware for the MicroIQ. When mounting the MicroIQ to a cabinet door or drawer, a separately mounted handle should be used to operate, open and close the door or drawer.

When installing the lock to the cabinet/drawer, you have the option to fasten the lock body with a nut or a retaining clip. A 'wonder' washer is recommended for installation in a drilled hole through either wood or metal panels.

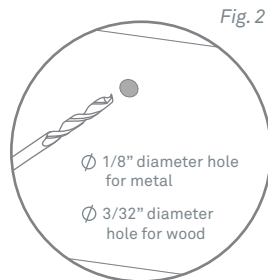
Additional mounting fasteners (#9) are provided and must be added through the battery extremity of the housing. Select the fasteners that best fit your panel material and thickness. If drilling is needed for thick panels, drilling template provided on page 4.

Do not exceed 15 in-lbs when fastening the cam nut (#3).

Mounting

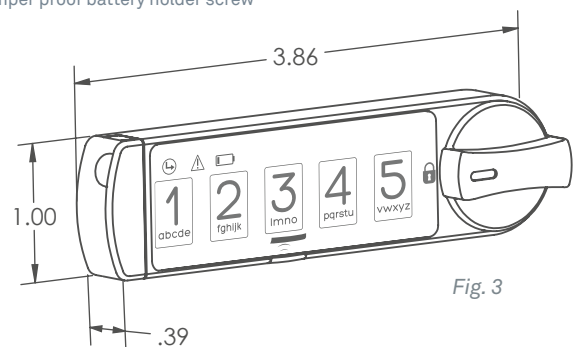
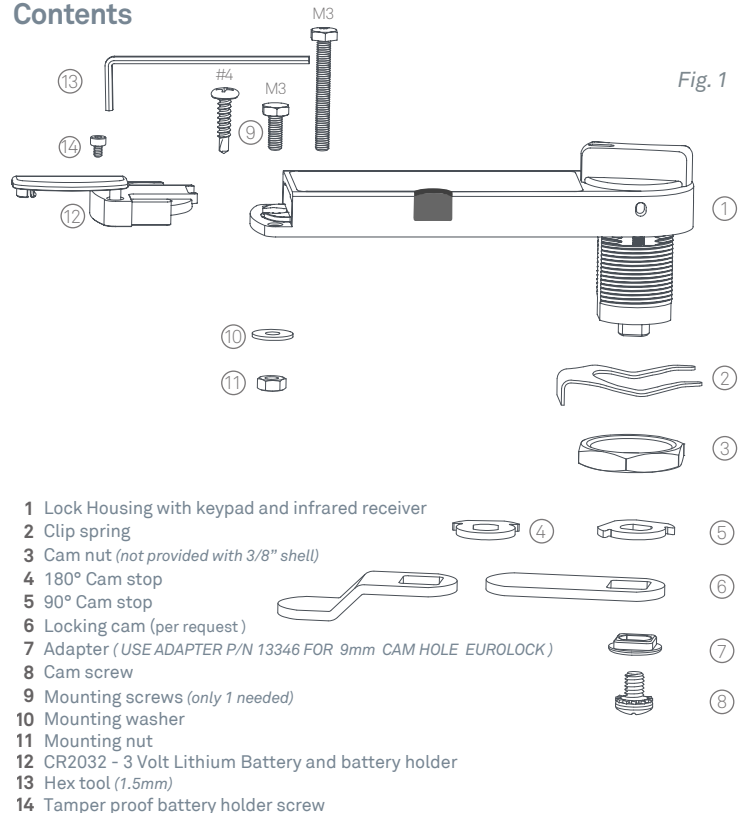
The installation template at the end of this manual can be used to drill a mounting hole for the MicroIQ.

Wood screw or self-tapping metal screw options are provided. In addition, double stick tape can be used solely or in conjunction with the mounting screw to further secure the lock. Allow tape to cure for 72 hours.



Prior to installation and insertion of the battery, the knob of the lock mechanism will be free moving. The MicroIQ hardware contains a cam stop (#4 or #5) for both 90 and for 180 degrees. Select and install the desired cam stop and cam (#6). Position the cam stop so the knob rotation is clockwise or counter-clockwise as desired.

Contents



The mounting screw for the Lock Housing must be installed before installing the MicroIQ battery.

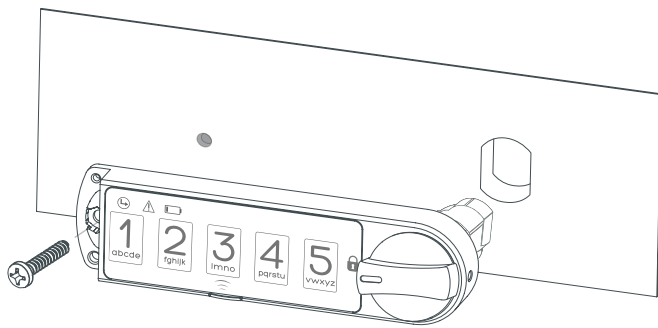
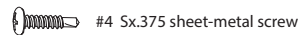


Fig. 4

Select appropriate mounting screw. If a lock spacer is required, a mounting screw must be used.

If mounted on sheet metal :



If mounted to wood panel with threaded insert:



Fig. 5

Battery

NOTE: If the assembled lock is going to be transported or shipped, it is required that the battery assembly includes the battery strip. If the lock is being set up for use, the battery strip is not needed (skip step 1 and 6).

- 1 Rotate the knob to the unlocked position
- 2 Insert the battery strip into the housing.
- 3 Insert the battery holder assembly (battery, holder, and cover) into the lock housing making sure the cover is open. If the assembly is not fully seated, make sure the battery holder screw is flush with the bottom of the assembly and that it is not interfering with the fit.
- 4 Insert the provided M2 screw in the battery holder.
- 5 Use the hex tool to attach the battery assembly to the lock housing.
- 6 Swing the battery cover closed and snap in place.
- 7 If transporting/shipping the lock assembly, the battery strip must be removed prior to use. Remove by pulling the strip out of the housing.

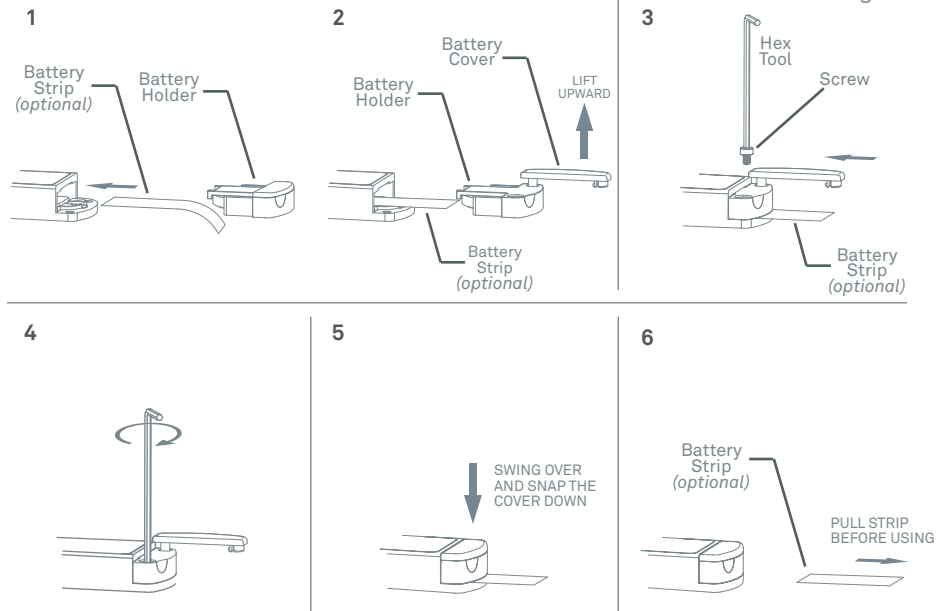


Fig. 6

Operation

1-2-3-4-5 keypad buttons: For entering and programming lock codes.

Program button: Initiate the lock programming mode by pressing the front thin edge of the black button inward toward the mounting surface the MicroIQ is mounted to.

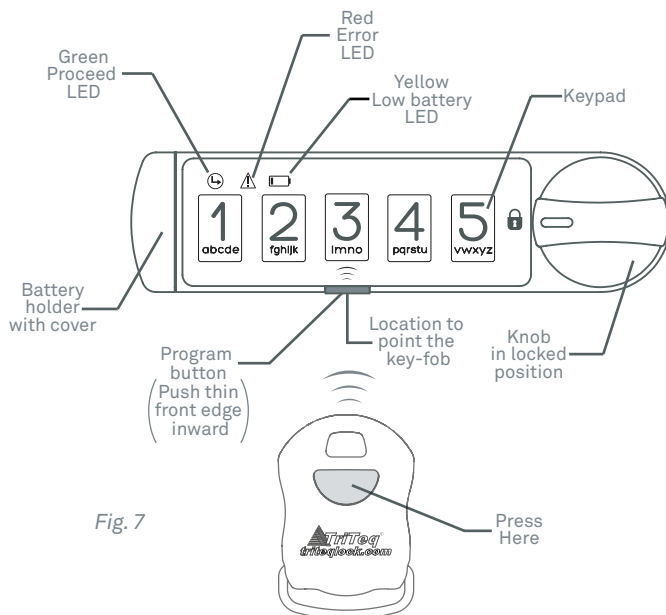


Fig. 7

Infrared Receiver:

The Infrared Receiver will receive a signal from an electronic TriTeq key-fob when it is pointed at the receiver located behind the Program button. The Program button is slightly opaque so the key-fob signal will penetrate the button.

Knob:

To move the lock mechanism 90 or 180 degrees clockwise or counterclockwise from the locked and unlocked states.

The Green and Red LED's will flash and illuminate to indicate operating conditions per the descriptions below.

The Yellow LED will flash 5 times after the lock is operated to signify the battery level is low and should be replaced.

To unlock MicroIQ using a code:

When entering the Factory code, the Supervisor code or User code, you should hear a 'click' sound, the green LED will light up turn the knob to unlocked position.

To re-lock MicroIQ:

Turn the knob from the unlocked position to the locked position, listen for the lock mechanism to operate by hearing a "click" sound, confirm the knob is locked.

As an option, the lock can be operated with the one blue remote key-fob and up to two black remote User key-fobs.

For further instructions about programming and operating the MicroIQ, please refer to the "MicroIQ Programming" manual or watch the videos on our website, www.MicroIQLock.com

Care and Cleaning:

To clean the MicroIQ surface, apply a non-acid based cleaner to a clean cotton cloth. Do not spray cleaner directly on the MicroIQ. Wipe down the keypad and housing surface of excess cleaner.

TriTeq Limited Warranty:

TriTeq offers a one year limited warranty all products to be free from manufacturing defects in materials and workmanship. This limited warranty does not cover battery, lost combinations or damages caused by improper mounting, improper or unreasonable use.

Liability Limits:

This is a limited warranty and in lieu of all other warranties (including the implied warranties of merchantability and fitness of use) and under no circumstances shall TriTeq Lock & Security or Hudson Lock, LLC be liable for any incidental or consequential damages or losses.

Operating Temperature: 0 - +50 C

Storage temperature: -10 - +70 C

Operating Moisture: 20% - 80% Rh

(without condensation)

Replacement Battery: 3 volt lithium CR2032

Battery Life: 3 to 5 years typical or 50,000 operations

ATTENTION: Battery life may vary with battery brand and environmental conditions.

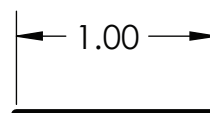
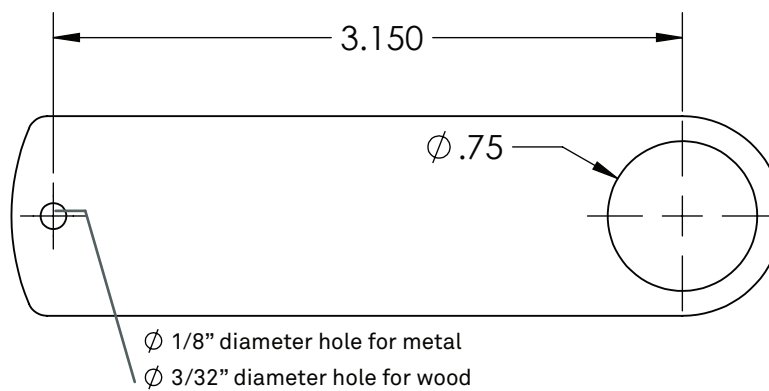
TriTeq Lock and Security
701 Gullo Ave
Elk Grove Village, IL
60007

Email: marketing@triteqlock.com
www.microiqlock.com

122119 - Rev. 4 S-L

© Copyright 2014 TriTeq Lock and Security. All rights reserved

Mounting Template



Measure before drilling.
If the length of the segment is different from 1.00" the template dimensions will be scaled accordingly