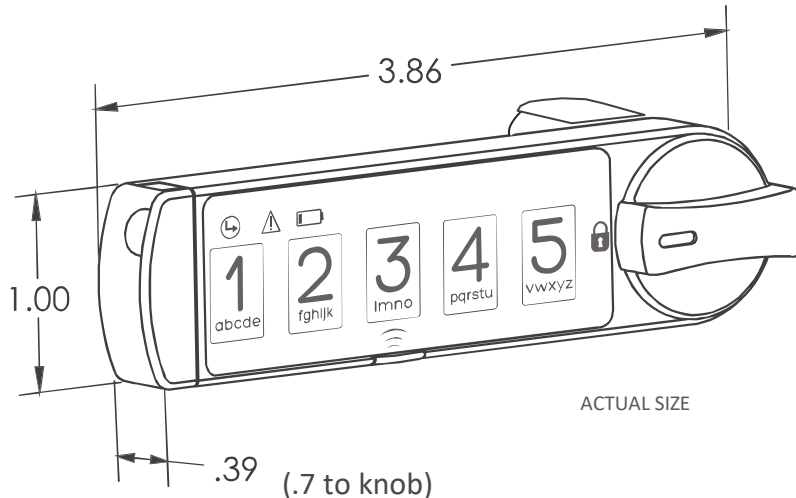


MicroIQ™ PT

PRIVATE POSTAL LOCK REPLACEMENT - 3 access codes



The smallest
footprint in
the industry

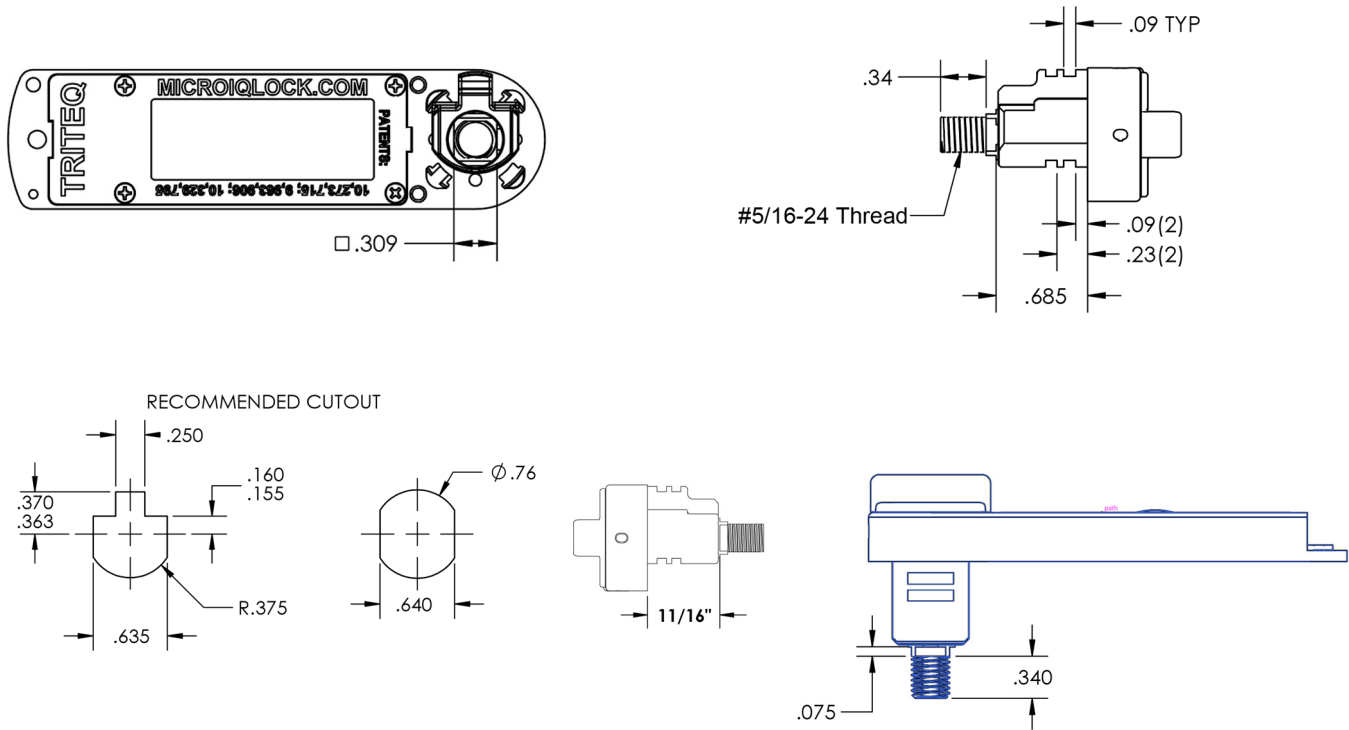
HIGHLIGHTS :

- ▼ Applications: private postal cabinets and mail boxes
- ▼ External dimensions: H 1.00" W 3.86" D 0.39"
- ▼ Finishes: satin chrome or black
- ▼ Fit: retrofits virtually any postal lock application or standard 3/4" DD hole
- ▼ Configurations: vertical up, vertical down, left and right hand models
- ▼ Levels of access: master, supervisor, user
- ▼ 6 digit master code, 3-6 digit supervisor, and 3-6 digit user code
- ▼ Control key: master key code or control key fob
- ▼ Wireless access options: infrared key fob
- ▼ Keypad access: easy to read 5 digit membrane keypad capable of 1-9 digit entries
- ▼ Operating modes: station mode (default) and locker mode
- ▼ Power: 20mm coin cell battery, replaced externally

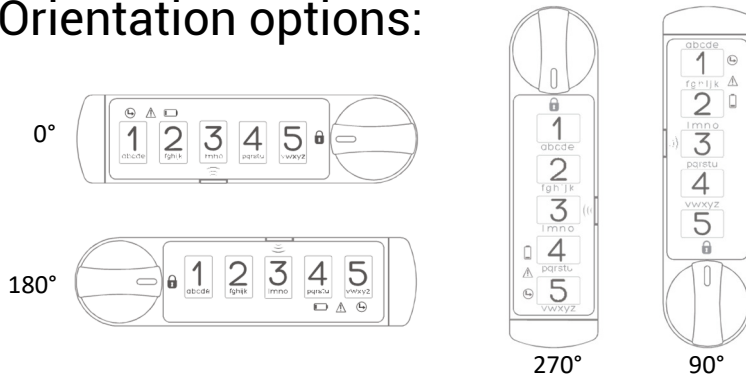
OPERATING FEATURES :

- ▼ Battery life: 50,000 operations; 3-5 years
- ▼ LED indicators: green (proceed), red (error), yellow (low battery)
- ▼ Locking mechanism: motorized; immune to shock, vibration and magnetic field
- ▼ Latching mechanism: not supplied
- ▼ Locking positions: one
- ▼ Knob rotation: clockwise or counterclockwise; 90 degrees
- ▼ Operating temperature: 0 to 50C
- ▼ Storage temperature: -10 to 70C
- ▼ Operating moisture: 20% - 80% Rh
- ▼ Cleaning: withstands bleach and chemical cleaners

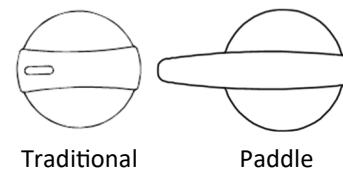
Mounting details:



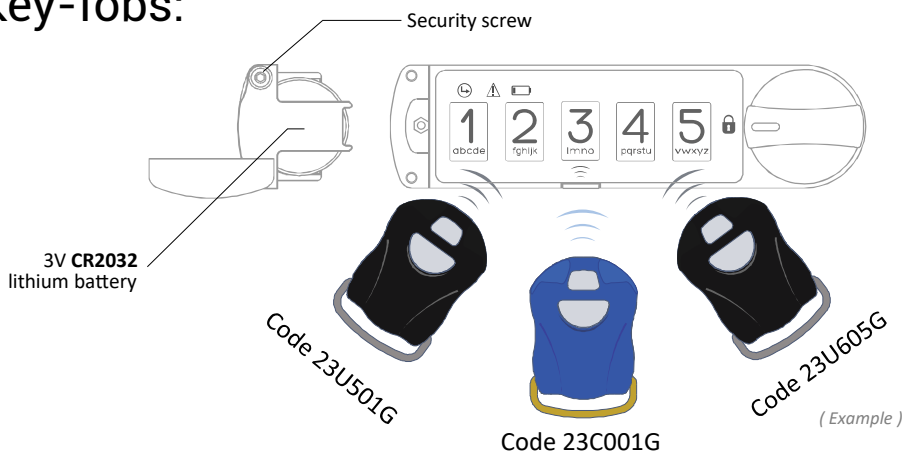
Orientation options:



Knob options:



Key-fobs:



The MicroIQ can pair one control key fob and two user key fobs simultaneously.

Multiple key fobs of the same code can be used to access the lock.

(Example)