

MicroIQ™

CORE REPLACEMENT LOCK

Installation Instructions



Wesko

FOR OFFICE FURNITURE, STORAGE CABINETS, LOCKERS, SAFES, VAULTS, SECURED ENCLOSURES

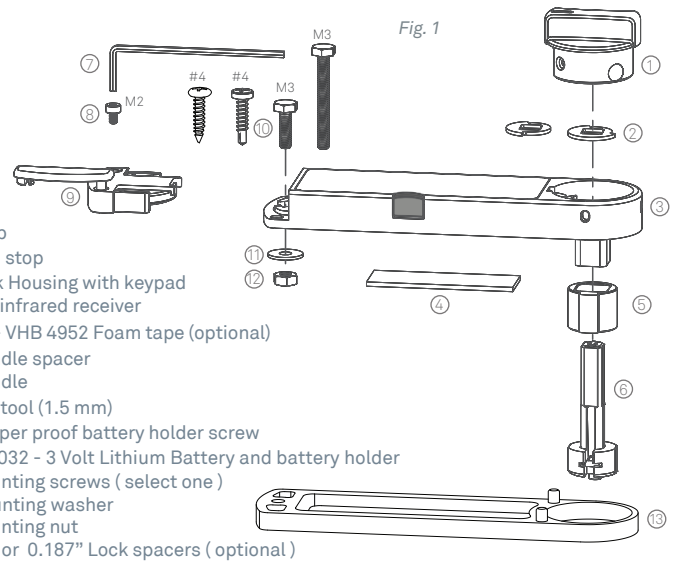
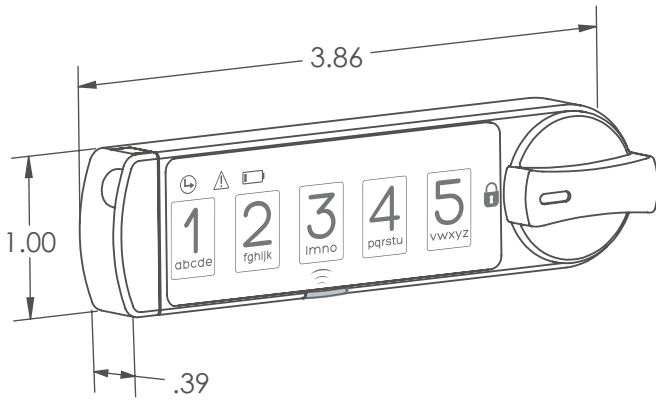
TriTeg Lock and Security
701 Gullo Ave
Elk Grove Village, IL 60007

Phone: (847) 640-7002
Toll Free: (888) 603-5625
Email: marketing@triteqlock.com

13018 - Rev. 7

© Copyright 2014 TriTeg Lock and Security. All rights reserved

General dimensions



- 1 Knob
- 2 Cam stop
- 3 Lock Housing with keypad and infrared receiver
- 4 3M - VHB 4952 Foam tape (optional)
- 5 Spindle spacer
- 6 Spindle
- 7 Hex tool (1.5 mm)
- 8 Temper proof battery holder screw
- 9 CR2032 - 3 Volt Lithium Battery and battery holder
- 10 Mounting screws (select one)
- 11 Mounting washer
- 12 Mounting nut
- 13 0.1" or 0.187" Lock spacers (optional)

1

Installation

See *Figure 1* for available mounting hardware for the MicroIQ. When mounting the MicroIQ to a cabinet door or drawer, the existing handle or a separately mounted handle should be used to operate, open and close the door or drawer.

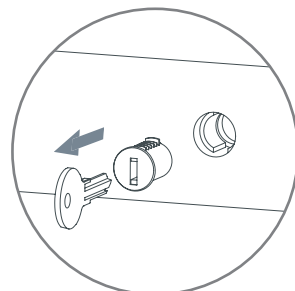
Additional mounting fasteners (*item 10*) are provided and must be added through the battery extremity of the housing. Select the fastener that best fits your panel material and thickness. If drilling is required, use the drilling template provided at the end of this manual. Double sided tape is also provided.

- 1 Using your change key, remove the existing lock core.

Note the position of the retaining tumbler on the lock core removed

i.e.: 12 o'clock, 3, 6 or 9 o'clock position.

You can purchase the change key online at: www.easykeys.com

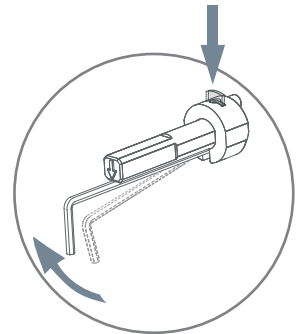


Example:
12 o'clock position

2

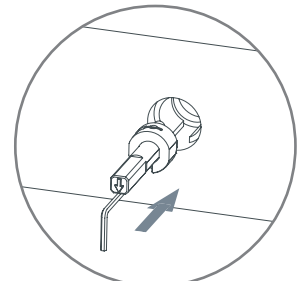
- 2 Insert the provided hex tool into the spindle as shown.

Move the hex tool towards the arrow indicated on the spindle until the retaining tumbler is retracted.



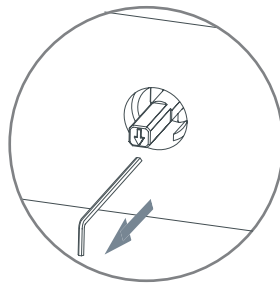
- 3 Insert the spindle with the retaining tumbler in the same orientation as the original lock core retaining tumbler.

Push the spindle into the lock shell until fully seated.



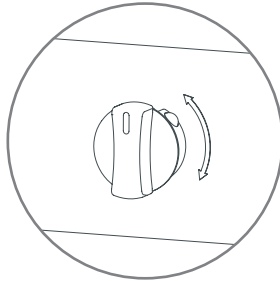
- 4 Remove the hex tool and confirm that the spindle is captured into the shell by retaining the tumbler.

The spindle is inserted properly when it can not be removed from the housing.



- 5 Insert the knob. Exercise the knob and verify that the spindle is engaged and operates your locking mechanism as intended.

Remove the knob from the spindle with the mechanism in the locked position.



- 8 If the lock shell has a non-removable finish cup or a collar/bezel that would restrict the MicroQ from being inserted flush to the cabinet, use an appropriate lock spacer in between the MicroQ and the cabinet. Spacers of 0.1" (P/N: 13081-00) and 0.187" (P/N: 13081-10) are available from TriTeq.

The spacers are available in chrome and black finish. To select your preferred finish, add the letter "C" for chrome or "B" for black to the end of the part number. (e.g.: 13081-00-C)

Select appropriate mounting screw. If a lock spacer is required, a mounting screw must be used.

Mount as shown on page 8.

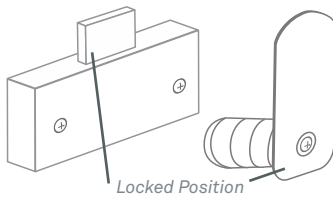
Remove the backing from the foam tape (underneath the lock body) and insert the MicroQ in the desired orientation until it is flush with the face of your panel.

Allow tape to cure for 72 hours.

OPTIONAL:

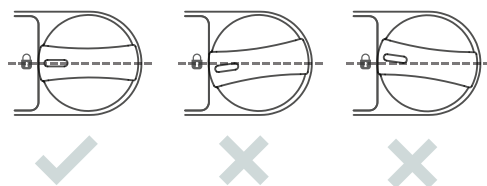
If your locking mechanism does not have a rotational stop, insert one of the provided cam stops to match the desired rotation.

- 9 Rotate your mechanism to locked position.

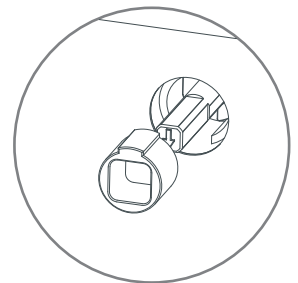


- 10 Insert and align the knob with the lock icon and rotate it to verify that the cam stop is positioned correctly.

If the knob cannot be consistently aligned with the lock icon, adjust the cabinet mechanism to eliminate any drag or friction.

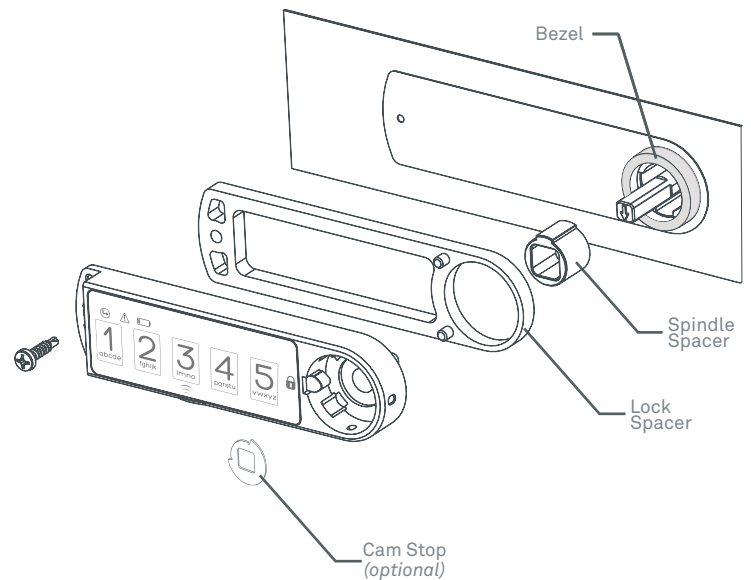
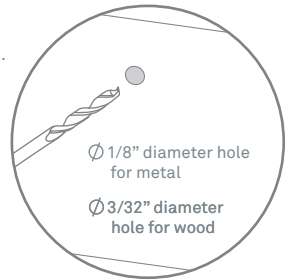


- 6 Remove the knob and insert the provided spindle spacer. Align the spline of the spindle spacer with one valley from your lock shell.

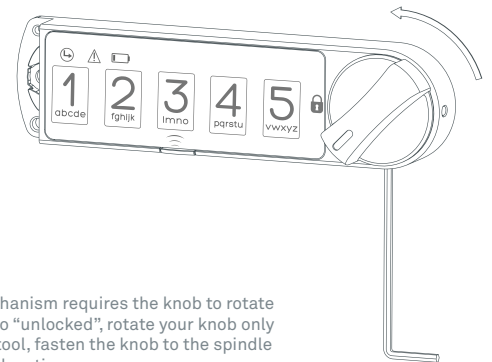


- 7 The MicroQ can be mounted to the cabinet with the enclosed screw or double stick tape or both.

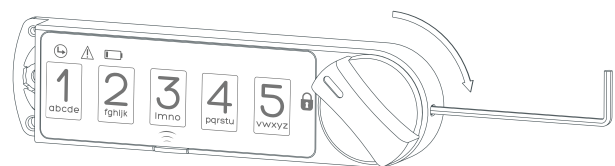
The installation template at the end of this manual can be used to drill the mounting hole for the MicroQ. A wood screw and a self-tapping metal screw are provided.



- 11 If your locking mechanism requires the knob to rotate CCW from "locked" to "unlocked", rotate your knob only 45° and using the hex tool, fasten the knob to the spindle from the indicated location.



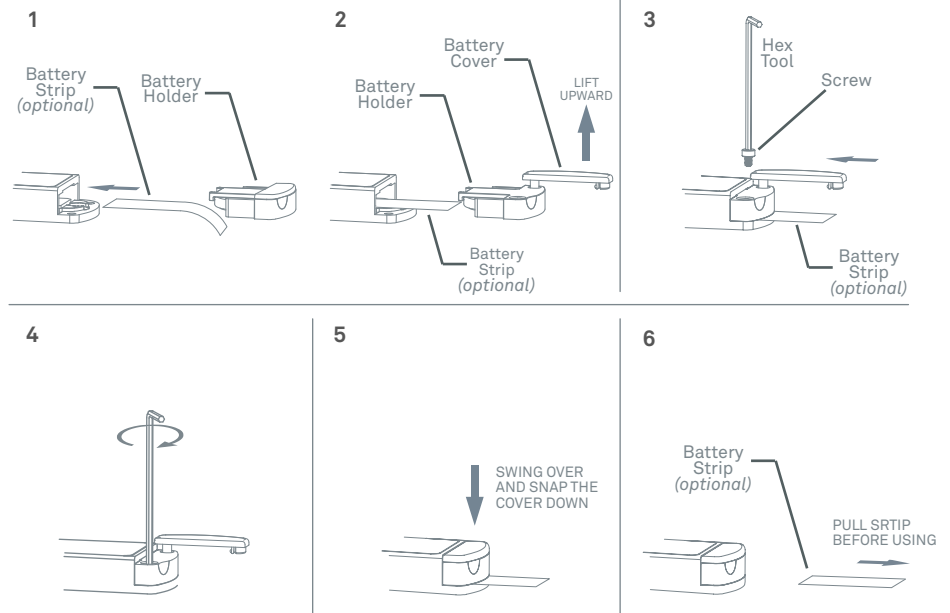
If your locking mechanism requires the knob to rotate CW from "locked" to "unlocked", rotate your knob only 45°. Using the hex tool, fasten the knob from the indicated location.



Battery

NOTE: If the assembled lock is going to be transported or shipped, it is required that the battery assembly includes the battery strip. If the lock is being set up for use, the battery strip is not needed (*skip step 1 and 6*).

- 1 Rotate the knob to the unlocked position
- 2 Insert the battery strip into the housing.
- 3 Insert the battery holder assembly (battery, holder, and cover) into the lock housing making sure the cover is open. If the assembly is not fully seated, make sure the battery holder screw is flush with the bottom of the assembly and that it is not interfering with the fit.
- 4 Insert the provided M2 screw in the battery holder.
- 5 Use the hex tool to attach the battery assembly to the lock housing.
- 6 Swing the battery cover closed and snap in place.
- 7 If transporting/shipping the lock assembly, the battery strip must be removed prior to use. Remove by pulling the strip out of the housing.



Cleaning and Care:

To clean the MicroIQ surface, apply a non-acid based cleaner to a clean cotton cloth. Do not spray cleaner directly on the MicroIQ. Wipe down the keypad and housing surface of excess cleaner.

TriTeq Limited Warranty:

TriTeq offers a one year limited warranty on all products to be free from manufacturing defects in materials and workmanship. This limited warranty does not cover battery, lost combinations or damages caused by improper mounting, operation or unreasonable use.

Liability Limits:

This is a limited warranty and in lieu of all other warranties (including the implied warranties of merchantability and fitness of use) and under no circumstances shall TriTeq Lock & Security or Hudson Lock, LLC be liable for any incidental or consequential damages or losses.

ATTENTION:

Battery life may vary with battery brand and environmental conditions .

www.microiqlock.com

Operating Temperature: 0 - +50 C
 Storage temperature: -10 - +70 C
 Operating Moisture: 20% - 80% Rh (without condensation)
 Replacement Battery: 3 volt lithium CR2032
 Battery Life: 3 to 5 years typical or 50,000 operations

Mounting Template

